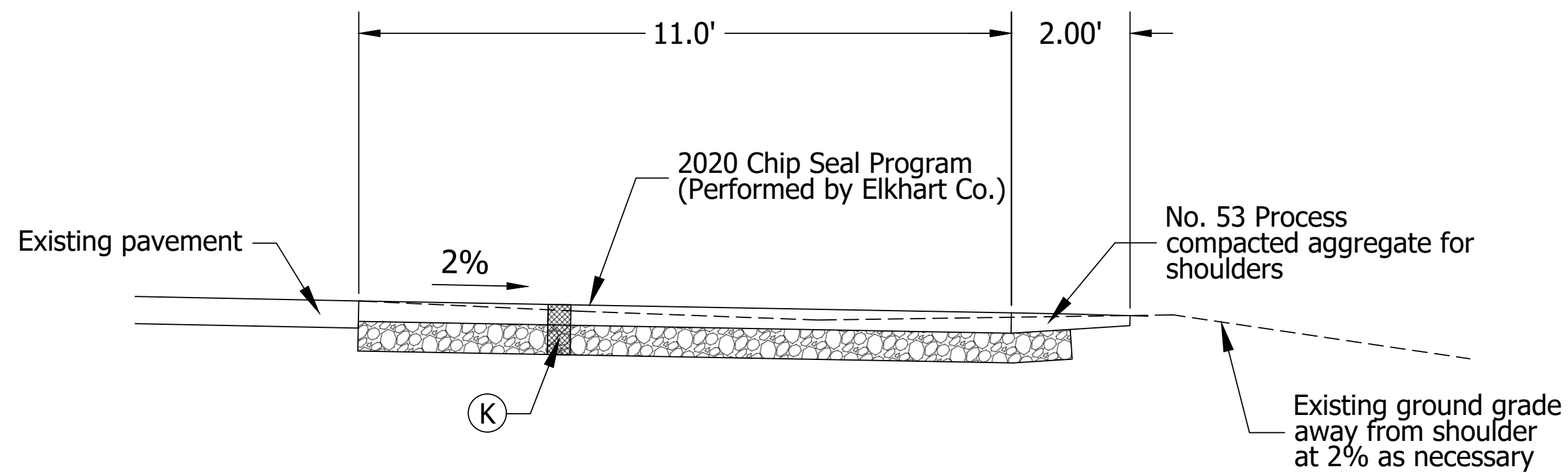


Section A - A
Scale: 6"=1'-0"



LEGEND:

(K) 4" HMA TYPE C, INTERMEDIATE 19.5 MM ON 6" NO. 53 COMPACTED AGGREGATE SUBGRADE.

ESTIMATED QUANTITIES

Item	Description	Unit	Quantity
1	Relocate existing school sign	EA	1
2	Remove abandoned electrical poles	EA	3
3	Common EX	CYS	170
4	Pavement removal	SYS	70
5	#53 Gravel for sub grade	TON	250
6	HMA, 19.5 intermediate, 4"	TON	160
7	Compacted aggregate, no. 53 for shoulders	TON	30
8	Mob for seeding	LS	1
9	Mulched seeding	SYS	300

Elkhart County
HIGHWAY DEPARTMENT
610 STEURY AVE, GOSHEN, IN 46528
PH: 574-534-9394
FAX: 574-533-7103
WWW.ELKCOHWY.ORG

REV	DESCRIPTION	DATE
-	-	-
-	-	-
-	-	-
-	-	-
-	-	-
-	-	-
-	-	-

PROJECT NAME
JIMTOWN INT SCHOOL TURN LANE

PROJECT LOCATION
COUNTY ROAD 3

DESIGNED: BH	HORIZONTAL SCALE
CHECKED: DESCHECK	1"=2"
DRAWN: BH	VERTICAL SCALE
CHECKED: DWGCHECK	SHEETS
	1 OF 1
	PROJECT
	2020 PAVING PRG