

NOTICE TO BIDDERS

2021 LIFT STATION MATERIALS BID FOR COUNTY ROAD 4 EXTENSION BETWEEN COUNTY ROADS 17 AND 19 ELKHART COUNTY

Notice is hereby given that the Board of Commissioners of the County of Elkhart, Indiana will receive sealed bids in accordance with Indiana law up to 9:00 a.m. on Monday, December 13th, 2021, for the following materials to be purchased by the Elkhart County Highway Department and used by its authorized representative and/or awarded prime contractor for the construction of the County Road 4 Extension in Elkhart County. Elkhart County is advertising this bid for the following itemized materials:

Item 1	Submersible Wastewater Pump Package
Item 2	10' Diameter Concrete Wet Well, 40ft rim to floor
Item 3	Model S1R3660 Access Door
Item 4	8' Diameter Concrete Wet Well, 10ft rim to floor
Item 5	Model W1R3636 Access Door
Item 6	Control System
Item 7	Flowmeter
Item 8	Transducer
Item 9	Redundant Pump Control (Backup Control)
Item 10	Telemetry Unit
Item 11	DI Discharge Pipe (8") Package
Item 12	8" Check Valve
Item 13	8" Plug Valve
Item 14	8" x 6" Tee
Item 15	6" PVC Pipe
Item 16	4" PVC Pipe
Item 17	Portacon Quick Connect Fitting with Male 6" Quicklock Connector

It is the responsibility of the bidder to ensure that its bid is delivered on time to the Office of the Elkhart County Commissioners, County Administration Building, 117 N. Second Street, Goshen, IN 46526.

Detailed specifications and bidding documents may be examined at the Elkhart County Highway Department, 610 Steury Ave., Goshen, Indiana or online at www.elkcohw.org. The language "2021 Lift Station Materials Bid for County Road 4-Elkhart County" and the Item Number(s) bid shall appear on the envelope containing the bid. A satisfactory bid bond (10% of bid), payable to the Board of County Commissioners of Elkhart County, Indiana executed by the bidder shall be submitted with each bid. No bids shall be withdrawn after the opening of the bids without the consent of the Board of Commissioners of Elkhart County for a period of thirty (30) days after the scheduled time of closing.

All the above items will be ordered upon duly authenticated purchase requisitions from the Elkhart County Highway Department unless otherwise indicated in the Specifications. The Elkhart County Commissioners also reserve the right to award contracts to all responsible and responsive bidders for certain items if the Elkhart County Commissioners, upon receipt of the bids, determine in the best interest of Elkhart County that awards to more than one bidder are appropriate based upon such factors as the quality of materials; geographic proximity to Elkhart County sites; delivery or pick-up expenses to Elkhart County; quantities needed; time of delivery or availability; the submitted unit price; and any other factors identified in the Specifications.

Dated this 22nd day of November, 2021:

Suzanne M. Weirick, President
Elkhart County Commissioners

Attest:

Patricia A. Pickens
Elkhart County Auditor

NEWSPAPERS: Goshen News and Elkhart Truth –
(Advertise)

Wednesday, November 24, 2021
Wednesday, December 1, 2021



Project Bid Documents

for

**2021 LIFT STATION MATERIALS BID
FOR COUNTY ROAD 4 EXTENSION BETWEEN
COUNTY ROADS 17 AND 19**

Elkhart County, Indiana

Prepared by:



2021 LIFT STATION MATERIALS BID FOR COUNTY ROAD 4 EXTENSION BETWEEN COUNTY ROADS 17 AND 19 for Elkhart County

The Elkhart County Highway Department (Department), through the Board of County Commissioners, is soliciting bids for various materials and supplies used in construction of a new lift station for future construction near County Road 4 (CR 4), Elkhart County, Indiana.

Bid Submission: Bids are due on December 13, 2021 by 9:00a.m. Bids shall be delivered to the Office of the Elkhart County Commissioners located at the County Administration Building, 117 N. Second Street, Goshen, IN 46526. Bids received after the stated time shall be considered non-responsive and returned unopened.

Pre-Bid Meeting: No pre-bid meeting is scheduled for this project. Addendums will be issued and available on the County website up to the bid opening. It is the bidder's responsibility to acknowledge receipt of ALL addenda.

Purchasing Laws and Regulations: Purchasing laws regulating the bidding of supplies and materials are found in Indiana Code Sections 5-22-7 et. seq. and the Elkhart County Purchasing Ordinance.

Purchase Commitment of Supplies and Materials: The quantity for each bid item listed is a quantity to be purchased based upon preliminary plans by the Department. The vendor should be prepared to supply the amount(s) required. The Department reserves the right to purchase additional supplies and materials from this material bid. If there are limitations or minimum requirements for quantities purchased, the vendor should clearly spell out such requirements by attaching an explanation of the requirements with their respective bid to disclose such information.

Requirements of Bidder: Vendors shall have a minimum two (2) years verifiable experience in supplying the materials or supplies offered in their respective bid. Elkhart County will require performance bonds from all vendors.

Bid Evaluation: Bids shall be evaluated and awarded to the most responsive and responsible bidder. The Elkhart County Commissioners reserve the right to award contracts to all responsible and responsive bidders for certain items if the Elkhart County Commissioners, upon receipt of the bids, determine in the best interest of Elkhart County that



an award to more than one bidder is appropriate based upon such factors as the quality of materials; geographic proximity to Elkhart County sites; delivery or pick-up expense to Elkhart County; quantities needed; time of delivery or availability; the current price; and any other factors identified in the Specifications

Availability of Supplies and Materials: Supplies and materials offered by the bidder shall be readily available. Vendor shall stock all materials and supplies and deliver promptly upon receiving a purchase order or purchase authorization. In the event a vendor fails to provide a supply or material, Elkhart County reserves the right to terminate future purchases and any remaining obligation to purchase quantities will be voided.

Bid Price Period: Bidder to guarantee bid price for purchases through December 31, 2022. Vendors who cannot guarantee quantities of material bid to be available, or who cannot guarantee their respective bid price should not submit a bid. By submitting a bid, vendor is guaranteeing no price increase for the duration of calendar year 2022. Bidders who attempt to adjust the cost of their material upward will not be compensated above their respective bid price. Vendors who fail to provide material consistent with their bid will be subject to available remedies and future sanctions, including being deemed non responsive or not responsible according to Indiana State Purchasing Statutes. Vendors who can provide lesser quantities than specified should submit a bid and note the quantity which can be supplied in their bid.

Governing Specifications: The materials supplied shall be done so in accordance with the latest City of Elkhart Standard Specifications for Construction. No deviation from those specifications will be allowed without prior approval by Engineer. The specifications below shall not be construed as full and complete. Bidder is responsible for compliance with the specifications as mentioned above. Those specifications can be found at https://elkhartindiana.org/wpfd_file/standard-specifications-for-construction-2019/

Buy American: The Bidder agrees that preference will be given to domestic construction material and domestically made and assembled equipment by the Bidder, subcontractor, and suppliers in the performance of the Contract.

U.S.A. Made Steel and Foundry Products: Only U.S.A. made steel and foundry products shall be used in all Public Works projects in compliance with Public Law 6 – Senate Enrolled Act 96 (Effective July 1, 2007) and United States Steel or Foundry Products – Amends IC5-16-8.

Delivery/Unloading:

1. Material shall be delivered to the Construction site located near 41°44'06"N, 85°52'10"W, CR 19 approx. 0.25 miles north of I-80. Bidder shall be responsible for all delivery, shipping, handling, loading, and unloading all materials. Winning bidder



shall confirm and coordinate with the Elkhart County Highway prior to delivery. Material shall be delivered in a manner that will protect the material from damage during loading or unloading.

2. Materials shall not be delivered prior to March 31, 2022. Materials available prior to the delivery date shall be kept secure by the bidder until the time of delivery. The time of delivery will occur between April 1, 2022 and April 30, 2022 as determined by the CR 4 Project Prime Contractor.

Submittals: Winning bidder shall provide shop drawings to Engineer for review prior to placing any final orders.

Bidding Questions: Questions about this bid shall be submitted in writing to rclark@lochgroup.com. Questions will be accepted up to 1:00p.m. on December 9, 2021. Questions received after said time may go unanswered.

Bid Award: Elkhart County Commissioners reserve the right to waive informalities and to award the bid to the lowest and most responsible bidder, all to the advantage of Elkhart County, or to reject all bids. It is the intent to award the bid to a single supplier. Elkhart County reserves the right to evaluate bids based on material availability and delivery dates.

MATERIAL BID SPECIFICATIONS

ITEM 1 Submersible Wastewater Pump Package

Specifications:

1. Two submersible raw sewage pumps each capable of delivering 500 GPM at 80 FT TDH.
 - a. Pumps shall be manufactured by Flygt or ABS, or other pre-approved manufacturers.
 - b. Submersible electric motors shall be not less than five hp for 460 volt, three phase power.
 - c. All openings and passages shall be large enough to pass three inch diameter spheres and any stringy material or trash which may pass through a six inch house connection.
 - d. Pumps shall have pump suction and discharge openings at least four inches in diameter.
 - e. The pumps and other electrical equipment, fixtures, and wiring in the lift station wet well must conform to the NEMA type 7 designation for explosion proof equipment.



- f. The stator casing, oil casing, and impeller shall be of grey iron construction, with all external parts coming into contact with sewage protected by a coat of rubber-asphalt paint.
- g. All external bolts and nuts shall be of stainless steel.
- h. A wear ring designed for abrasion resistance shall be installed at the inlet of the pump to provide protection against wear to the impeller.
- i. The impeller shall be of a double vane, non-clog design, capable of passing solids, fibrous material, heavy sludge and constructed with long throughway with no acute turns.
- j. Each pump shall be provided with a tandem double mechanical seal running in an oil reservoir, composed of two separate lapped face seals. The lower consisting of one stationary tungsten-carbide ring and one rotating carbon ring, with each pair held in contact by separate spring.
- k. The seals shall require neither maintenance nor adjustment and shall be easily replaceable.
- l. Conventional double mechanical seals with a single or double spring between the rotating faces shall also be allowed.
- m. Pump motor shall have Class F insulated windings which shall be moisture resistant.
- n. The motor shall be NEMA Design B rated 155 C maximum.
- o. Pump motors shall have cooling characteristics suitable to permit continuous operation, in a totally, partially or non-submerged condition.
- p. The pump shall be capable of running dry continuously in a totally dry condition.
- q. Cable junction box and motor shall be separated by a stator-lead sealing gland or terminal board which shall isolate motor from any water or solids gaining access through pump top.
- r. Pump motor cable shall be suitable for submersible pump applications and this shall be permanently embossed on the cable.
- s. Pump motors shall include heat sensors in windings to stop pumps if overheating occurs.
- t. Also each pump shall have moisture sensors with appropriate relay to indicate seal failure.
- u. The pump manufacturer shall warrant the pumps being supplied to the City against defects in workmanship and materials for a period



- of five years under normal use, operation and service. In addition, the manufacturer shall replace certain parts which shall become defective through normal use and wear on a progressive schedule of cost for a period of five years; parts included are the mechanical seal, impeller, pump housing, wear ring and ball bearings. The warranty shall be in published form and apply to all similar units.
- v. A pump design that shall be such both pumps will be automatically connected to the discharge piping when lowered into place of the discharge connection.
 - w. The pumps shall be easily removable for inspection or service requiring no bolts, nuts or other fastenings to be removed for this purpose, and no need for personnel to enter pump well.
 - x. Each pump shall be fitted with a stainless steel chain, shackles and any accessory that is connected to the chain shall be made of a stainless steel of adequate strength and length to permit raising the pump for the inspection and removal.
 - y. Pump curves and RPM's shall be submitted to the Engineer for approval.
 - z. Pumps shall be manufactured by Flygt or ABS, or other approved manufacturers.
2. The equipment for a 40-foot deep wet well.
- a. Upper guide rail bracket with breakaway fittings
 - b. Guide Rails – Stainless steel
 - c. Intermediate guide rail support brackets (required every 10')
 - d. Guide rail base
 - e. Stainless steel lifting chains with stainless steel mounting shackles and pins.
 - f. Eccentric Reducer 4"x8" for the pump discharge
 - g. Cable support grips - stainless steel
 - h. Pump monitoring relays

ITEM 2 10' Diameter Concrete Wet Well, 40-foot Rim to Floor

Specifications:

1. All concrete for the wet well structures shall be 3,500 PSI concrete. The walls of the wet wells shall be constructed using reinforced concrete structure conforming to ASTM C-478. Each shall have cement asphaltic gaskets.
2. A ladder shall be furnished and installed to facilitate maintenance.
3. Shop drawings shall be submitted to the Engineer for approval, prior to construction.

ITEM 3 Model S1R3660 Access Door

Specifications:

1. Furnish one aluminum access door, frame and hatch with a safety grate, complete with hinged and hasp equipped cover, upper guide holders, chain holder and cable holder in each pumping station. Frame shall be securely mounted above the pumps. The doors shall be torsion bar loaded and have safety locking handles in the open position. Doors shall have checkered plate. Hatches shall be manufactured by Nystrom, or equal as approved by the Engineer.

ITEM 4 8' Diameter Concrete Valve Vault, 10-foot Rim to Floor

Specifications:

1. All concrete for the valve vault structures shall be 3,500 PSI concrete. The walls of the valve vault shall be constructed using reinforced concrete structure conforming to ASTM C-478.
2. A ladder shall be furnished and installed to facilitate maintenance.
3. Shop drawings shall be submitted to the Engineer for approval, prior to construction.

ITEM 5 Model W1R3636 Access Door

Specifications:

1. All access doors and hatches shall be aluminum. Doors shall be counterbalanced to required no more than 30 pounds of opening and equipped with an automatic locking hold arm. All hatches shall include a safety grate rated to withstand 300 psf loading and equipped with a hold open latch. Hatches shall be H20 series floor hatches as manufactured by Nystrom, or equal as approved by the Engineer.

ITEM 6 Control System

Specifications:

1. Furnish
 - a. Power pedestal:
 - i. Have sufficient space for the telemetry system, fused disconnect, utility meter and meter base.
 - b. Housing:
 - i. Shall be a NEMA 4X stainless steel enclosures (48"x62"x18") with 12" foot-kit constructed of sturdy, heavy gauge, all welded, sheet steel construction.
 - ii. The housing shall be manufactured by Hoffman.
 - iii. Have two-door with 3-point latches,
 - iv. The inner door will contain all of the controls necessary for operation of the pumps and the outer door shall be able to be locked.
 - c. Control System shall include:
 - i. Individual disconnect. One for main panel circuit breaker, one for portable emergency generator.
 - ii. Ultralow harmonic Variable frequency drive rated for 115% of motor full load amp with remote mount VFD keypad. ABB ACQ580-31 series.
 - iii. Output load reactor.
 - iv. Overload protection in each phase,
 - v. Overload reset
 - vi. Phase monitor
 - vii. Hand-off automatic pump operation selector switch
 - viii. Pump running time meters
 - ix. Automatic transfer to non-operating pump in event of overload in operating pump
 - x. Moisture sensor indicators
 - xi. Temperature sensor indicators
 - xii. Lightning protection
 - xiii. Surge protection
 - xiv. Terminal board with connection for high and low water level alarm, VFD interface, and misc. field interface.
 - xv. A 110 GFI receptacle in the control panel.
 - xvi. An enclosure LED light bar. Door activated.
 - xvii. Motor protection circuit breaker.
 - xviii. VFD main power fuse block.
 - xix. Main power distribution block.



- xx. Generator receptacle.
- xxi. Intrinsically safety barrier box. Analog and digital.
- xxii. Control relays.
- xxiii. UPS for backup control power.
- xxiv. 24V DC power supply redundancy module.
- xxv. 24V DC power supply protection.
- xxvi. Redundant 120VAC/24VDC 5A power supplies.
- xxvii. 24VDC power distribution blocks.
- xxviii. UPS bypass contactor.
- xxix. Din rail.
- xxx. Low voltage equipment circuit breakers.
- xxxi. Push to test LED pilot lights.
- xxxii. Phenolic nameplate.
- xxxiii. Two position simulation switch.
- xxxiv. Weatherproof coating equipment panel ARC flash and warning labels.
- xxxv. Disconnect mechanism handle.
- xxxvi. Control Power transformer to operate controls and power the GFI receptacles within the control panel, receptacles for the valve vault, valve vault light, flow meter transmitter, chemical injection system skid, spare for futures.
- xxxvii. Condensation heater with a thermostat to keep the telemetry and other control cabinet components from freezing up.
- xxxviii. Warning light shall be mounted on the control center and shall be so connected as to function when the high water or low water elevation in the wet well is reached.
- xxxix. Controller
 1. Siemens Water Technology model LC150 or SJE Rhombus model SP6R-LSC
 2. The controller shall consist of a display/setpoint board and a submersible level transducer. The display/setpoint board shall be mounted on the face of the enclosure.
 3. The controller shall provide a full-range differential control for two pumps plus high and low level alarm response to the signal received from the transducer. It shall operate on 120 VAC and include the motor starter pilot circuitry for operation of the pump. The high and low level alarms shall have an external fail safe dry contact for the remote alarm indication.



4. The level shall be visually observable on the 40 segment LED bar graph display on the face of the module. Level adjustments shall be made by moving pins in accordance with the bar graph to the desired level of control activation/deactivation. The programming pins shall allow for forty possible positions for setting the “on” level for each pump; the “off” level for each pump; the alarm “on” levels and the alarm “off” levels.
 5. The controller shall provide automatic or manual operation of each pump based on a selector switch on the face of the module. In the automatic mode the pumps shall alternate lead-lag operation on each start cycle. In the manual mode either pump shall be able to be selected as the lead pump.
 - xl. Four LED’s shall be provided above each set-point to indicate status for the respective condition. An alarm reset push button shall also be provided to silence an ongoing alarm.
 - xli. A wet well level simulation switch shall be provided to allow the operator to simulate a rise or fall in wet well level. The simulation switch will turn on and off pumps/alarms based on the artificial level introduced by the operator. Upon release of the simulation switch, the level shall return to the actual reading received from the transducer.
2. All electrical equipment shall be stocked by local suppliers.
 3. The control system shall be built as shown on the panel layout. Panel layout enclosed at the end of the specifications for additional equipment’s or unless approval for an alternate schematic is given by the Engineer.
 4. The control system shall be wired as shown on the wiring schematic enclosed at the end of the specifications or unless approval for an alternate schematic is given by the Engineer.
 5. It is specific intention of this functional requirement that a standard controller will be employed with features as herein described and that it be a fully-integrated assembly. That is, the furnishing of similar functions using a generic programmable controller with custom software, a multiplicity of set-point modules or extensive relay/timer logic to accomplish control sequences, etc., is specifically precluded by this specification and will not be acceptable.
 6. The controller furnished under this specification shall be comprehensively integrated with the specified submersible level transducer type wet well



level sensing system and associated motor control equipment and circuitry.

7. It shall be furnished with all necessary drawings and instructions and placed in successful automatic operation. It shall be guaranteed for one year from date of startup and acceptance to the effect that any defects in material or workmanship shall be corrected without cost of obligation to the City.
8. Shop drawings shall be submitted to the Engineer for approval, prior to construction.

ITEMS 7 Flowmeter

Specifications:

1. Furnish:
 - a. Flowmeter – 8” Siemens Electromagnetic flowmeter.
 - i. The flowmeter shall include a sensor and transmitter.
 - ii. The sensor shall be model Sitrans F M Mag 3100
 - iii. The transmitter shall be model Sitrans F M Mag 500
 - b. Shop drawings shall be submitted to the Engineer for approval, prior to construction.

ITEM 8 Transducer

Specifications:

1. Furnish:
 - a. Liquid level transducer: 4-20 MADC, w-wire, 15-40 VDC loop-powered type with its output signal directly proportional to the measured level excursion over a factory-calibrated range of 0 to 10 feet of water.
 - i. It shall be Division B 5-25 Siemens Water Technologies model A-1000 when used with Siemens Water Technologies equipment, PTX/PMP 1290 series as manufactured by General Electric when used with SJE Rhombus equipment, or approved equal.
 - ii. The transducer shall be of the solid state head-pressure sensing type, suitable for continuous submergence and operation and shall be installed in accordance with manufacturer's instructions.
 - iii. Transducer housing –
 1. Fabricated of type 316 stainless steel
 2. The bottom diaphragm face of the sensor shall be installed 12 inches above the floor of the wet well. The sensor shall be mounted using a one inch



- vertical stainless steel pipe and cable system at the location shown on the drawings.
3. Have a bottom diaphragm 2 5/8 inch diameter of heavy-duty, limp, foul-free, molded Teflon bonded to a synthetic rubber back/seal.
 4. A hydraulic fill liquid behind the diaphragm shall transmit the sensed pressure to a solid state variable capacitance transducer element to convert the sensed pressure to a corresponding electrical value
- b. The sensed media shall exert its pressure against the diaphragm that flexes minutely so as to vary the proximity between an internal ceramic diaphragm and a ceramic substance to vary the capacitance of an electrical field created between the two surfaces. A stable, hybrid, operational amplifier assembly shall be incorporated in the transducer excite and demodulate the sensing mechanism. The transducer shall incorporate laser-trimmed, temperature compensation and high quality components and construction to provide a precise, reliable, stable output signal directly proportional to the sensed pressure over a factory calibrated range.
 - c. The transducer element shall incorporate high over-pressure protection and be designed to withstand intermittent over-pressures five times the full scale range being sensed. Metallic diaphragms shall not be acceptable in that they are subject to damage or distortion.
 - d. Sensing principles employing LVDT's, resistive or pneumatic shall not be acceptable.
 - e. The transducer shall include easily accessible offset and span adjustments in the upper assembly. Span shall be adjustable down 15 percent of the sensor range. Fine and coarse adjustments for both span and offset shall be provided, using 25-turn potentiometers. Offset and span adjustments shall be non-interactive, for ease of calibration.
 - f. The internal pressure of the lower transducer assembly shall be relieved to atmospheric pressure through a heavy duty urethane jacketed hose/cable assembly and a slack PVC bellows mounted in the NEMA 3R enclosure.
 - g. The sealed breather system shall compensate for variations in barometric pressure and expansion and contraction of air due to temperature changes and altitude as well as prevent fouling from moisture and other corrosive elements.



- h. The transducer shall be provided with a cable suspension kit to reduce strain on the electrical cable.
- i. The transducer shall be secured to the side of the wet well structure in six-inch PVC with stainless steel brackets for a 40' deep wet well.
- j. Shop drawings shall be submitted to the Engineer for approval, prior to construction.

ITEMS 9 Redundant Pump Control (Backup Control)

Specifications:

- 1. Furnish:
 - a. High, Low, Lead, Lag Level Switch - Siemens Water Technologies model B100 LSA-X, or approved equal.
 - b. Stainless steel brackets for a 40' deep wet well.
 - c. Shop drawings shall be submitted to the Engineer for approval, prior to construction.

ITEM 10 Telemetry Unit

Specifications:

- 1. Furnish
 - a. Telemetry Unit – Motorola ACE 3600 or approved equal.
 - b. Antenna - Yagi style antenna with sufficient height to transmit and receive signals to and from the City's central repeater tower.
 - c. Shop drawings shall be submitted to the Engineer for approval, prior to construction.

ITEMS 11 DI Discharge Pipe (8") Package

Specifications:

- 1. All pipes shall be Class 52 Ductile Iron Pipe with flanged fittings except as shown otherwise on the plans.
 - a. (2 pieces) Pump discharge elbow to LS discharge elbow
 - b. (4 pieces) LS discharge elbow to Valve Vault with expansion joint coupling
 - c. Connection Pipe from FM TEE to Quick Connect
 - d. FM Tee to FM (Flange one end only – 20' length)



ITEM 12 8" Check Valve

Specifications:

1. Fittings shall be Class 52 Ductile Iron Pipe and flanged.
2. Check valves shall be external swing arm type.
3. Check valves shall be of the horizontally, swing type, designed to allow a full diameter passage with a minimum pressure loss.
4. They shall be provided with a screwed or bolted cover for easy access.
5. The check valve shall be rated for normal pressure and water hammer.
6. The check valve shall be flanged.
7. Swing arm check valves shall be manufactured by DeZurik, Cla-Val, and Apco Willametter or approved equal.

ITEM 13 8" Plug Valves

Specifications:

1. Fittings shall be Class 52 Ductile Iron Pipe and flanged.
2. Isolation valves shall be eccentric plug type valves.
3. Plug valves shall be flanged.
4. Plug valves shall be manufactured by DeZurik, Cla-Val Apco, Willamette, or other approved equal.

ITEM 14 8" x 6" DI Tee

Specifications:

1. Fitting shall be Class 52 Ductile Iron Pipe and flanged.
2. Fittings shall be manufactured by DeZurik, Cla-Val Apco, Willamette, or other approved equal.

PLEASE NOTE: It is the responsibility of interested bidders to check the Elkhart County Highway website for updates (www.elkcohw.org/bids/).

End of Specifications



BID FORM

2021 LIFT STATION MATERIALS BID FOR COUNTY ROAD 4 EXTENSION
BETWEEN COUNTY ROADS 17 AND 19 Bid Submission:

Bids are due on December 13, by 9:00a.m. Bids shall be delivered to the Office of the Elkhart County Commissioners located at the County Administration Building, 117 N. Second Street, Goshen, IN 46526. Bids received after the stated time shall be considered non-responsive and returned unopened.

Bidder Name: _____

Primary Address: _____

Authorized Representative: _____

Phone Number: _____

Email: _____

Item No.	Bid Item	Quantity	Units	Unit Cost	Extended Cost
1	Submersible Wastewater Pump Package	1	LS		
2	10' Diameter Concrete Wet Well, 40-feet Rim to Floor	1	EA		
3	Model S1R3660 Access Door	1	EA		
4	8' Diameter Concrete Valve Vault, 10-feet Rim to Floor	1	EA		
5	Model W1R3636 Access Door	1	EA		
6	Control System	1	LS		
7	Flowmeter	1	LS		
8	Transducer	1	LS		
9	Redundant Pump Control (Backup Control)	1	LS		
10	Telemetry Unit	1	LS		
11	DI Discharge Pipe (8") Package		LF		
12	8" Check Valve	2	EA		
13	8" Plug Valve	3	EA		
14	8" x 6" DI Tee	1	EA		
15	6", SCH 80, PVC Pipe	90	LF		
16	4", SCH 80, PVC Pipe	15	LF		
17	Portacon Quick Connect Fitting with Male 6" Quicklock Connector w/Cap	2	EA		
				Total	\$



Circle One - Pumps shall be: FLYGT ABS Other _____

Total in numbers \$ _____

Total in words \$ _____

Bidder Name: _____

In submitting this Bid, Bidder represents that:

Bidder has examined and carefully studied the Bidding Documents, and any data and reference items identified in the Bidding Documents, and hereby acknowledges receipt of the following Addenda:

<u>Addendum No.</u>	<u>Addendum, Date</u>
_____	_____
_____	_____
_____	_____
_____	_____
_____	_____
_____	_____



Bidder Questionnaire
(Must be submitted with Bid Form)

1. If awarded the bid, please indicate in the table below when each component is estimated to be available for delivery
 - a. Elkhart County reserves the right to evaluate bids based on material availability and delivery dates.

Item No.	Bid Item	Estimated Delivery Date
1	Submersible Wastewater Pump Package	
2	10' Diameter Concrete Wet Well, 40-feet Rim to Floor	
3	Model S1R3660 Access Door	
4	8' Diameter Concrete Valve Vault, 10-feet Rim to Floor	
5	Model W1R3636 Access Door	
6	Control System	
7	Flowmeter	
8	Transducer	
9	Redundant Pump Control (Backup Control)	
10	Telemetry Unit	
11	DI Discharge Pipe (8") Package	
12	8" Check Valve	
13	8" Plug Valve	
14	8" x 6" DI Tee	
15	6", SCH 80, PVC Pipe	
16	4", SCH 80, PVC Pipe	
17	Portacon Quick Connect Fitting with Male 6" Quicklock Connector w/Cap	

2. How many years have you been providing utility pipe and appurtenances?

3. Have you secured a bid to load/unload material? YES / NO (circle one)
4. Have you obtained quotes for all materials on this bid request? _____
 - a. If not, please explain how you derived at the unit cost.

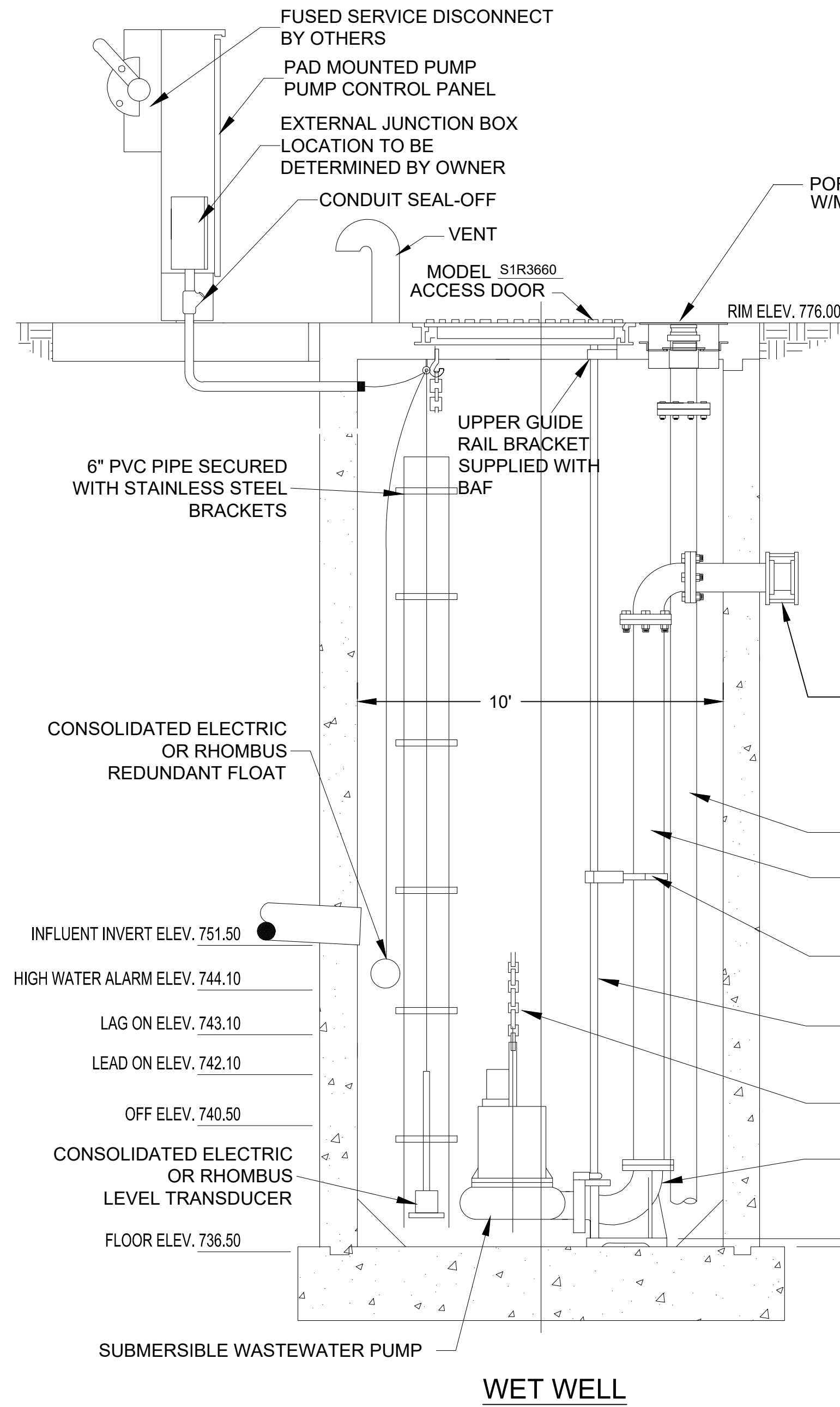
5. Are you eligible to do business in the State of Indiana? YES / NO (circle one)

NOTE: SCALES APPLY TO FULL-SIZE DRAWINGS ONLY.

11/22/2021 6:21:01 PM

X:\Production\Files\2020\120-3065\CAD\WiscDWG\Pump Station Details.dwg

CR 4 - FROM CR 17 TO CR 19



INCOMING SERVICE

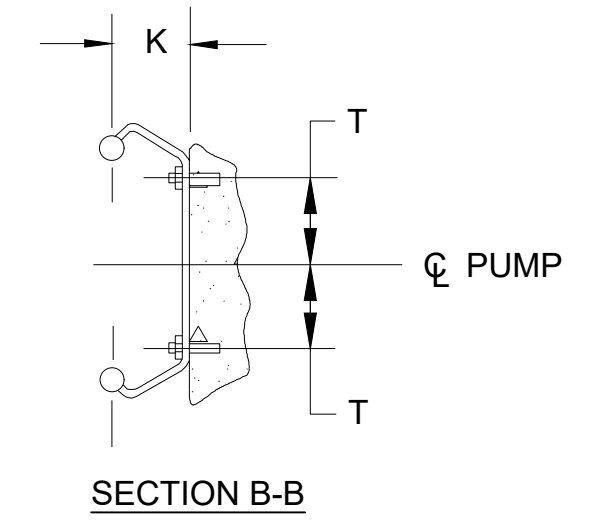
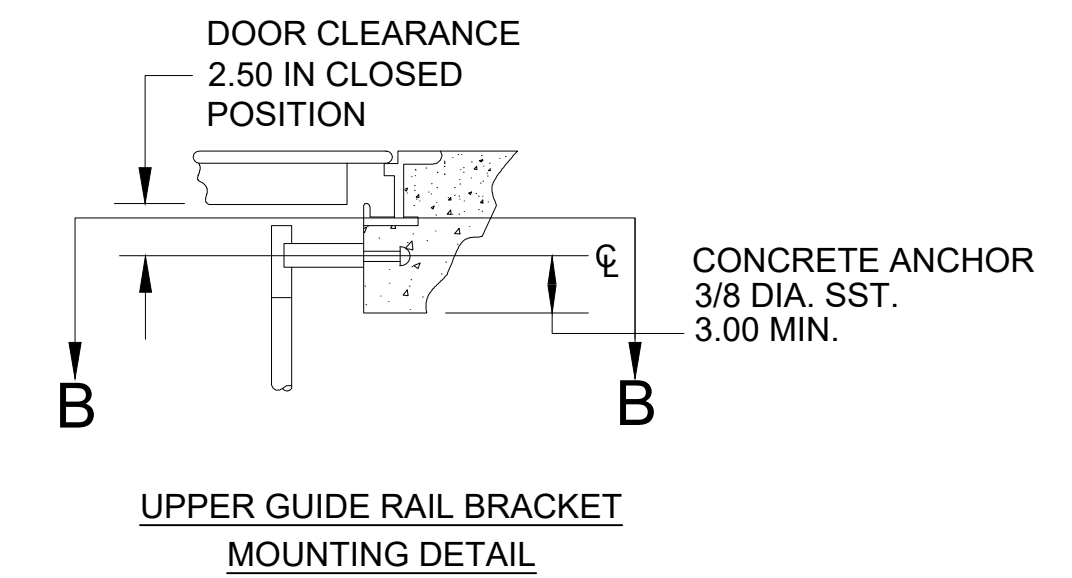
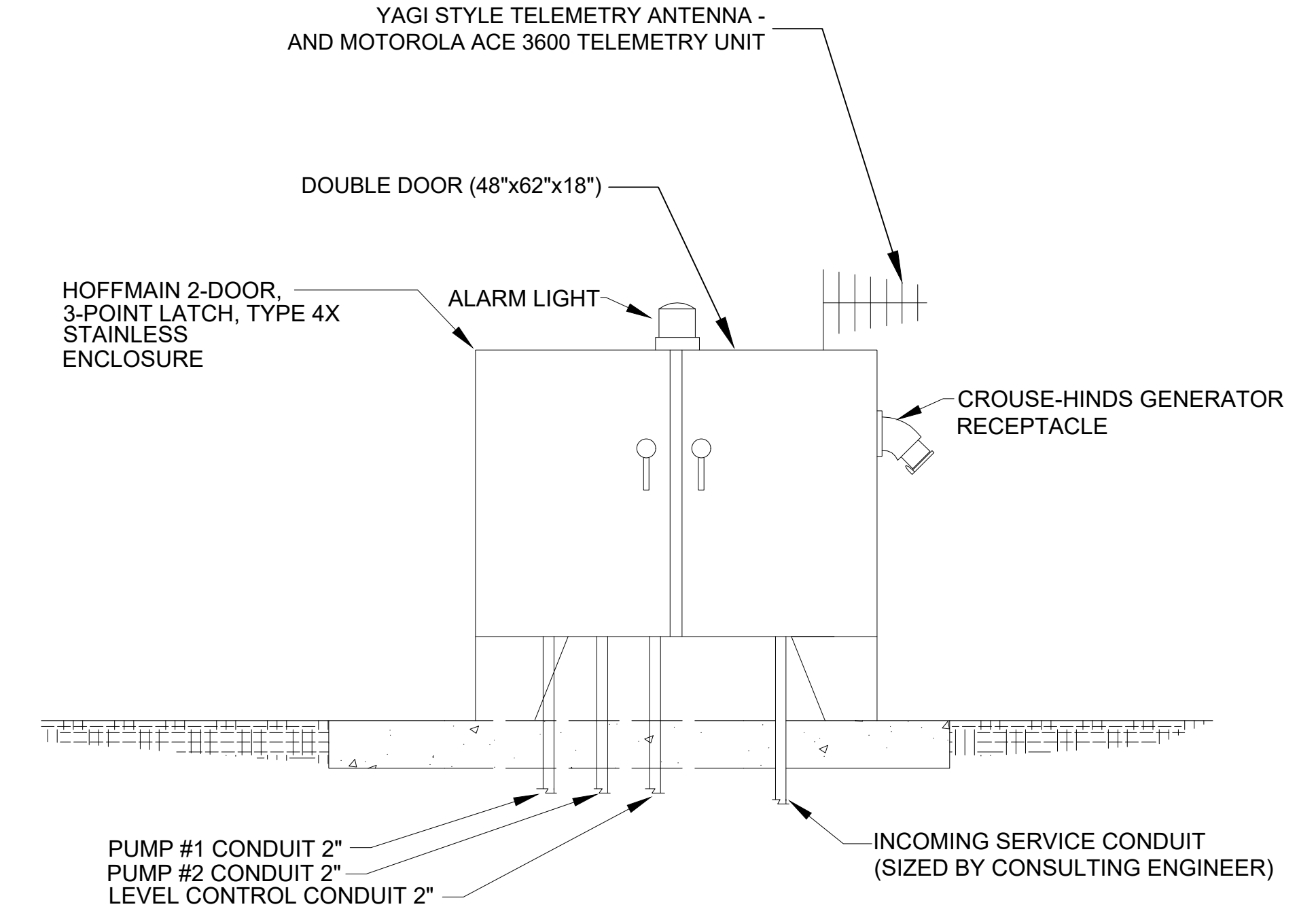
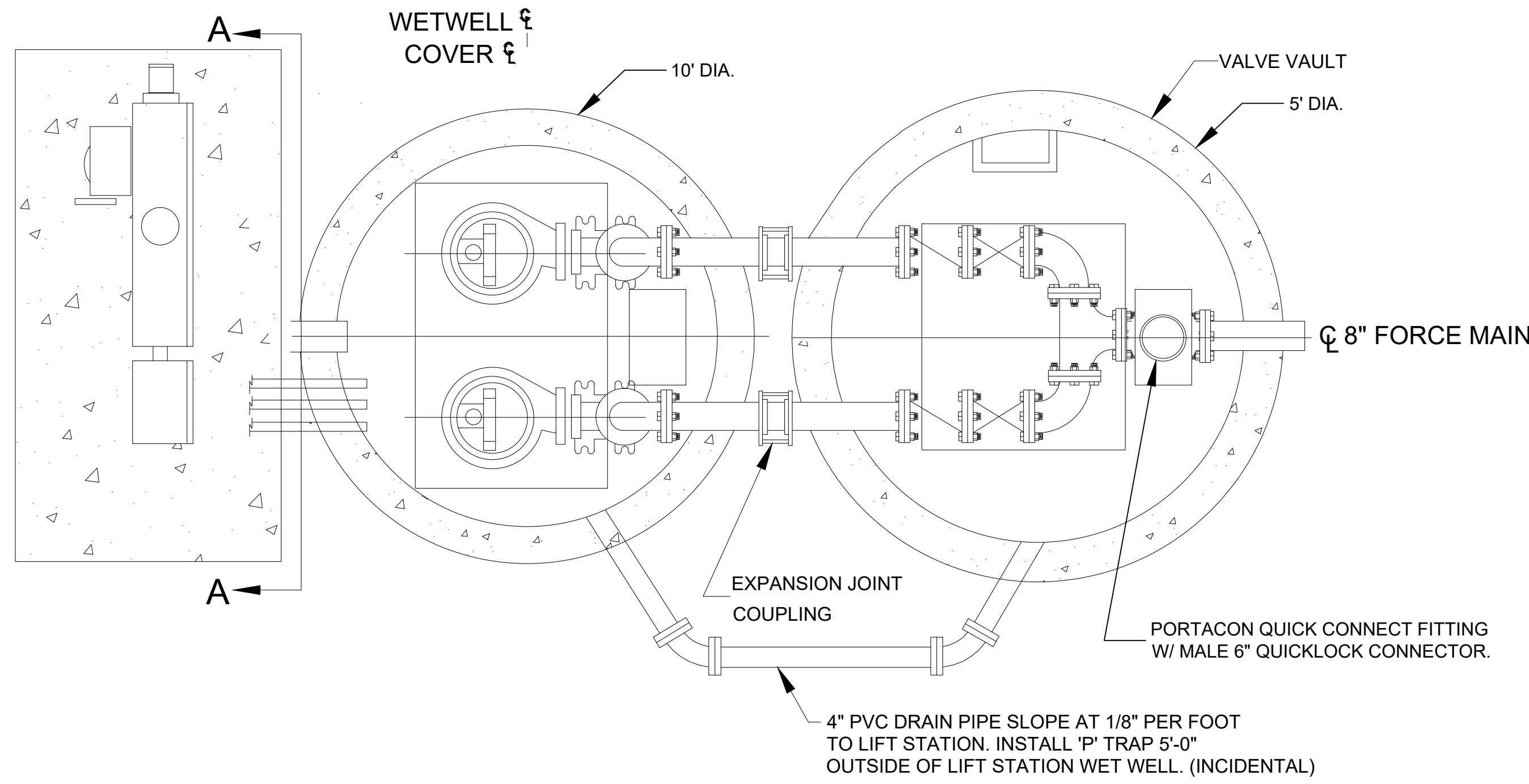
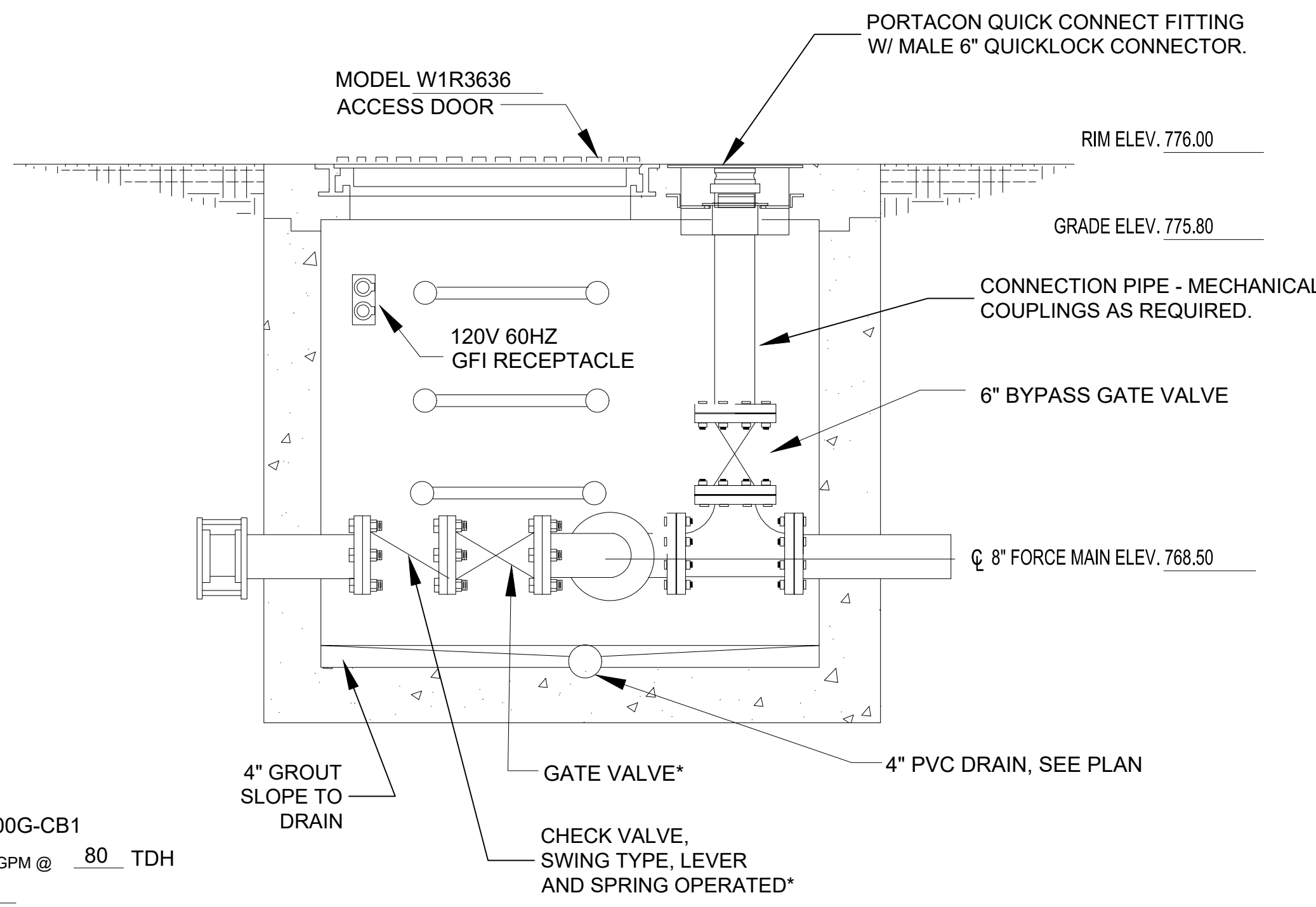
VOLTS	460
AMPS	
PHASE	3Ø
HERTZ	60
WIRE	3

PUMP SPECIFICATIONS

FLYGT PUMP MODEL NP 3153 HT 3-462
 DESIGN CAPACITY 500 GPM @ 80 TDH
 IMPELLER SIZE 276 mm
 HORSEPOWER 20 HP
 RPM 1755

PUMP SPECIFICATIONS

ABS PUMP MODEL XFP 100G-CB1
 DESIGN CAPACITY 500 GPM @ 80 TDH
 IMPELLER SIZE 9.84"
 HORSEPOWER 20 HP
 RPM 1781



- NOTES:**
1. TRANSDUCER & BACK-UP FLOATS MUST BE INSTALLED OUT OF INFLUENT FLOW STREAM TO AVOID TURBULENCE.
 2. ALL DIMENSIONS ARE IN INCHES OR FEET AND INCHES.
 3. ALL ELECTRICAL MOTORS & WIRING SHALL COMPLY WITH THE "NATIONAL ELECTRIC CODE LATEST EDITION".
- * SIZED TO MATCH FORCE MAIN DIAMETER

NOT FOR CONSTRUCTION

Elkhart County
 HIGHWAY DEPARTMENT
 610 STEURY AVE, GOSHEN, IN 46528
 PH: 574-534-9394
 FAX: 574-533-7103
 WWW.ELKCOHWY.ORG

REV	DESCRIPTION	DATE
-	-	-
-	-	-
-	-	-
-	-	-
-	-	-
-	-	-
-	-	-
-	-	-
-	-	-
-	-	-

COUNTY ROAD 4 FROM CR 17 TO CR 19

PUMP STATION DETAILS

DESIGNED: DEW	HORIZONTAL SCALE
CHECKED: EW	N/A
DRAWN: TJR	VERTICAL SCALE
CHECKED: MJC	N/A
	SHEETS
	102 OF 156
	PROJECT
	120-3065

2021 LIFT STATION MATERIALS BID FOR COUNTY ROAD 4 EXTENSION BETWEEN
COUNTY ROADS 17 AND 19, ELKHART COUNTY
BID BOND

BID BOND

KNOW ALL MEN BY THESE PRESENTS, that we the undersigned _____

_____ as PRINCIPAL, and _____

_____ as SURETY, are held and firmly bound unto the Elkhart
County Board of County Commissioners, hereinafter called the "Owner", in the penal sum
of

_____ Dollars (\$ _____) lawful

money of the United States, for the payment of which sum well and truly to be made, we
bind ourselves, our heirs, executors, administrators, successors, and assigns, jointly and
severally, firmly by these presents:

THE CONDITION OF THIS OBLIGATION IS SUCH, that whereas the Principal has
submitted the accompanying Bid, dated _____

for: _____

NOW, THEREFORE, if the Principal shall not withdraw said bid within the period specified
herein after the opening of the same, or if no period be specified within or sixty (60) days
after the said opening, and shall within the period specified therefore, or, if no period be
specified within ten (10) days after the prescribed forms are presented to him for
signature, enter into a written contract with the Owner in accordance with the bid as
accepted, and give Bond for faithful performance and proper fulfillment of such Contract;
or in the event of the withdrawal of said bid within the period specified, or the failure to

2021 LIFT STATION MATERIALS BID FOR COUNTY ROAD 4 EXTENSION BETWEEN
COUNTY ROADS 17 AND 19, ELKHART COUNTY
BID BOND

enter into such Contract and give such Bond within the time specified if the Principal shall pay the Owner the difference between the amount specified in said Bid and the amount for which the Owner may procure the required work or suppliers or both, if the latter amount be in excess of the former, then the above obligation shall be void and of no effect, otherwise to remain in full force and virtue.

IN WITNESS WHEREOF, the above bounden parties have executed this instrument under their several seals this _____ day of _____, 20__ the name and corporate seal of each corporate party being hereto affixed and these presents duly signed by its undersigned representative, pursuant to authority of its governing body.

2021 LIFT STATION MATERIALS BID FOR COUNTY ROAD 4 EXTENSION BETWEEN
COUNTY ROADS 17 AND 19, ELKHART COUNTY
BID BOND

IN PRESENCES OF:

INDIVIDUAL PRINCIPALS:

_____ (SEAL)
_____ (SEAL)
_____ (SEAL)
_____ (SEAL)

ATTEST:

CORPORATE PRINCIPAL:

_____ (SEAL)
_____ (SEAL)

Business Address _____

By: _____

Title: _____

ATTEST:

CORPORATE SURETY:

_____ (SEAL)
_____ (SEAL)

Business Address _____

By: _____

Title: _____

Power-of-Attorney for person signing for Surety Company must be attached to Bond.

2021 LIFT STATION MATERIALS BID FOR COUNTY ROAD 4 EXTENSION BETWEEN
COUNTY ROADS 17 AND 19, ELKHART COUNTY
CERTIFICATE AS TO

CORPORATE PRINCIPAL

CERTIFICATE AS TO CORPORATE PRINCIPAL

I, _____
certify that I am the _____
Secretary of the Corporation named as Principal in the within Bond; that _____
_____ who signed the said Bond on behalf of the Principal
was then _____ of the corporation, that I know
his signature, and his signature thereto is genuine; and that said Bond was duly signed,
sealed, and attested to, for and in behalf of said corporation by authority of its governing
body.

_____ (SEAL)

2021 LIFT STATION MATERIALS BID FOR COUNTY ROAD 4 EXTENSION BETWEEN COUNTY ROADS 17 AND 19, ELKHART COUNTY
PERFORMANCE BOND

PERFORMANCE BOND

KNOW ALL MEN BY THESE PRESENTS,

That _____ as principal and _____ as surety, are firmly bound unto Elkhart County, Indiana, acting through its Board of County Commissioners (OWNER) in the penal sum of an amount equal to one hundred percent (100%) the amount of his bid or the contract price, if the proposal is accepted, for the payment of which, well and truly to be made, we bind ourselves, jointly and severally, and our joint and several heirs, executors, administrators, and assigns, firmly by these presents, this ____ day of _____, 20__.

THE CONDITIONS OF THE ABOVE OBLIGATION ARE SUCH That, Whereas, the principal is herewith submitting a bid and proposal for the 2021 MATERIALS BID FOR COUNTY ROAD 4 EXTENSION BETWEEN COUNTY ROADS 17 AND 19, ELKHART COUNTY in accordance with the plans and specifications approved and adopted by said OWNER, which are made a part of this bond.

NOW, THEREFORE, if the said OWNER shall award said principal the contract for work and said principal shall promptly enter into a contract with said OWNER for the said work and shall well and faithfully do and perform the same in all respects according to the plans and specifications provided by the said OWNER, and according to the time, terms, and conditions specified in said contract to be entered into, and in accordance with all

2021 LIFT STATION MATERIALS BID FOR COUNTY ROAD 4 EXTENSION BETWEEN
COUNTY ROADS 17 AND 19, ELKHART COUNTY
PERFORMANCE BOND

requirements of law, and shall promptly pay all debts incurred by him or any subcontractor in the construction of said work, including labor, service, and materials furnished, then this obligation shall be void; otherwise to remain in full force, virtue and effect.

IT IS AGREED that no modifications, omissions, or additions in or to the terms of such contract or in or to the plans or specifications therefore shall in any wise affect the obligation of such sureties on its bond.

IN WITNESS WHEREOF, we hereunto set our hands and seal this _____ day of _____, 20____.

NAME _____

NAME _____

ADDRESS _____

ADDRESS _____

BY _____

BY _____

Signature

Title

Signature

Title

(Printed or Typed)
Surety

(Printed or Typed)
Principal

2021 MATERIALS BID FOR COUNTY ROAD 4 EXTENSION BETWEEN COUNTY ROADS
17 AND 19, ELKHART COUNTY
PERFORMANCE BOND

State of Indiana, County of _____ ss:

Personally appeared before me, _____

as principal and _____

as surety and each acknowledged the execution of the above bond this _____ day

of _____, 20____.

BY _____
Signature Notary Public

(Printed or Typed)

Witness my hand and notarial seal the said last named date.

My Commission Expires _____, 20____.

(County of Residence)

Accepted and approved this _____ day of _____, 20____.

Suzanne M. Weirick

Frank Lucchese

Bradley D. Rogers

ATTEST: _____
Patricia A. Pickens, Auditor