

ADDENDUM NO. 1

ELKHART COUNTY JOHNSON ST BRIDGE #383B OVERLAY PROJECT

September 15, 2022

**BOARD OF COUNTY COMMISSIONERS
ELKHART COUNTY, INDIANA**

TO: All bidders and others to whom Bid Documents for the above referenced Project have been issued

The items included in this Addendum are to become a part of the original Bid Documents as if included therein. Only these items are to be altered. The remainder of the original bid documents maintains validity in their entirety.



Tom Rushlow, P.E.
Elkhart County Highway

A signed copy of this sheet shall be submitted with Proposal Form to document receipt of Addendum No. 1.

Contractor

BID DOCUMENTS

SECTION

REVISION

Plans

Sheet 2 Typical Bridge Section & Plan has been revised to indicate the proposed overlay thickness as 1 1/2" and the addition of notes regarding the construction.

Specifications

The Itemized Proposal has been revised. The revisions include:

The description for Item 7 has been changed from Bridge Deck Overlay, Microsilica to Bridge Deck Overlay, Silica Fume Modified.

Item 13 Bridge Deck Modified, Additional Silica Fume Modified is an addition to the Itemized Proposal. The remaining item numbers after Item 13 are increased by 1.

ELKHART COUNTY, INDIANA
BOARD OF COUNTY COMMISSIONERS
JOHNSON ST BRIDGE #383B OVERLAY PROJECT
ITEMIZED PROPOSAL

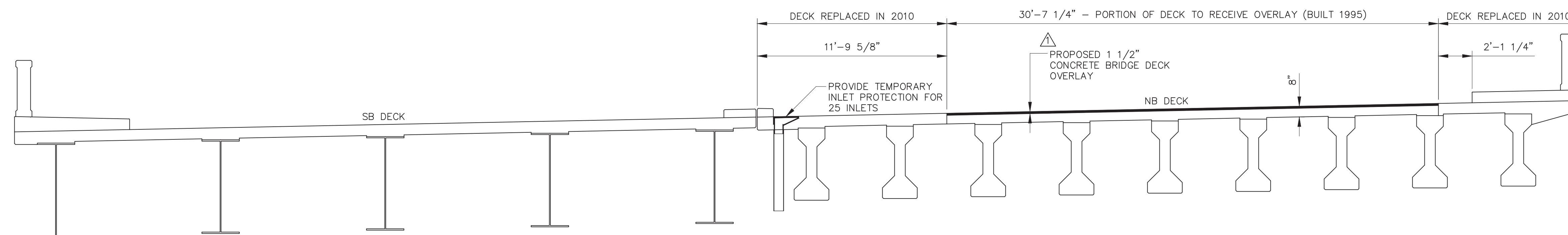
NO.	SPEC. SECTION	DESCRIPTION	QUANTITY	UNIT	UNIT PRICE	EXTENSION
1	105	CONSTRUCTION ENGINEERING	1	LS		
2	TP4	SPECIAL RIGHT-OF-WAY CONDITIONS	1	LS	\$20,000.00	\$20,000.00
3	110	MOBILIZATION AND DEMOBILIZATION	1	LS		
4	205	STORMWATER MANAGEMENT BUDGET	4,000	DOL	\$1.00	\$4,000.00
5	205	STORMWATER MANAGEMENT IMPLEMENTATION	1	LS		
6	TP1	TERMINAL JOINT, RETROFIT POLYMER MODIFIED ASPHALT	386	SFT		
7	722	BRIDGE DECK OVERLAY, SILICA FUME MODIFIED	1,318	SYS		
8	722	HYDRODEMOLITION	1,318	SYS		
9	722	BRIDGE DECK OVERLAY, BUDGET	10,000	DOL	\$1.00	\$10,000.00
10	722	TRANSVERSE GROOVING	1,318	SYS		
11	722	BRIDGE DECK, REMOVE EXISTING CONCRETE SURFACE	1,318	SYS		
12	722	BRIDGE DECK PATCHING, FULL DEPTH	400	SFT		
13	722	BRIDGE DECK OVERLAY, ADDITIONAL SILICA FUME MODIFIED	20	CYS		
14	TP2	TERMINAL JOINT TRAFFIC CONTROL	1	LS		
15	TP3	TERMINAL JOINT EXPEDITING EXPENSE	1	LS		
16	801	ROAD CLOSURE SIGN ASSEMBLY	8	EACH		
17	801	TEMPORARY PAVEMENT MARKING, REMOVABLE, 4 IN	6,820	LFT		
18	801	DETOUR ROUTE MARKER ASSEMBLY	24	EACH		
19	801	CONSTRUCTION SIGN, A	30	EACH		
20	801	CONSTRUCTION SIGN, B	6	EACH		

21	801	MAINTAINING TRAFFIC	1	LS		
22	801	BARRICADE, III-B	304	LFT		
23	801	TEMPORARY TRAFFIC BARRIER, TYPE 2	624	LFT		
24	808	PAVEMENT MESSAGE MARKING, REMOVE	10.2	SYS		
25	808	TRANSVERSE MARKING, REMOVE	110	LFT		
26	808	LINE, REMOVE	204	LFT		
27	808	LINE, MULTI-COMPONENT, BROKEN, WHITE, 4 IN	280	LFT		
28	808	LINE, MULTI-COMPONENT, SOLID, WHITE, 4 IN	660	LFT		
29	808	LINE, MULTI-COMPONENT, SOLID, YELLOW, 4 IN	84	LFT		
30	808	TRANSVERSE MARKING MULTI-COMPONENT, STOP LINE, 24"	153	LFT		
31	808	PAVEMENT MESSAGE MARKINGS, MULTI-COMPONENT, LANE INDICATION ARROW	8	EACH		
TOTAL BID:						

NOTE: SCALES APPLY TO FULL-SIZE DRAWINGS ONLY.

9/15/2022 10:03:42 AM

S:\Engineering\Projects\BRIDGES\BRIDGE #383 - Johnson St\DWG\SECTION.REV.dwg



TYPICAL BRIDGE SECTION

SCALE: 1/4" = 1'-0"

NOTES

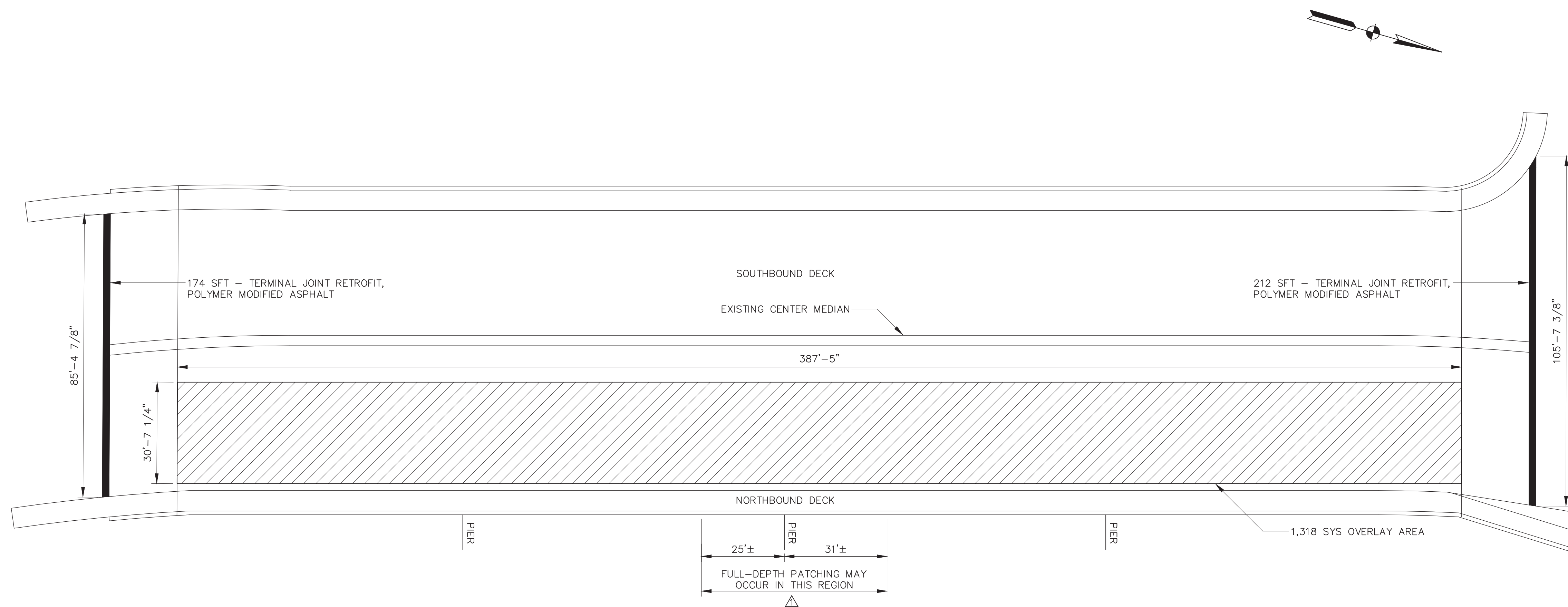
THE PLANS FOR THIS BRIDGE SHOW 2 1/2" CLEAR TO THE TOP MAT OF REINFORCEMENT IN THE EXISTING CONCRETE BRIDGE DECK.

SURFACE MILL 1/2" FROM THE OVERLAY AREA AND USE HYDRODEMOLITION TO REMOVE THE REMAINDER OF THE PROPOSED 1 1/2" OVERLAY THICKNESS. OVERLAY TO MATCH EXISTING CONCRETE DECK TO REMAIN.

APPLY EPOXY RESIN ADHESIVE WHERE NEW CONCRETE ABUTS EXISTING CONCRETE IN PATCH LOCATIONS.

THE CONTRACTOR SHALL SUBMIT A WASTE WATER CONTROL AND DISPOSAL PLAN FOR HANDLING WASTE WATER GENERATED BY THE HYDRODEMOLITION. THE WASTE WATER CONTROL PLAN AND ITS IMPLEMENTATION SHALL BE INCLUDED IN THE COST OF HYDRODEMOLITION. SEE THE SECTION 722 OF THE INDOT STANDARD SPECIFICATIONS.

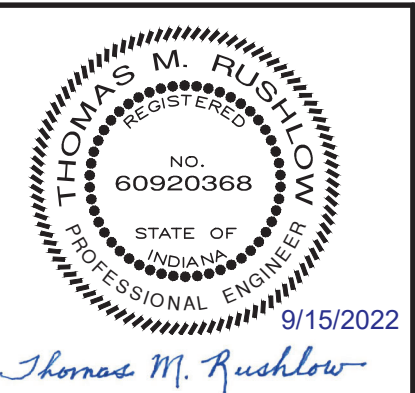
WHERE THE DECK IS UNSOUND FOR MORE THAN 1/2 OF ITS ORIGINAL DEPTH, THE CONCRETE SHALL BE REMOVED FULL DEPTH, EXCEPT FOR LIMITED AREAS DETERMINED BY THE ENGINEER.



PLAN

SCALE: 1" = 20'

Elkhart County
HIGHWAY DEPARTMENT
 610 STEURY AVE., GOSHEN, IN 46528
 PH: 574-534-9394
 FAX: 574-533-7103
 WWW.ELKCOHWY.ORG



REV	DESCRIPTION	DATE
1	ADD NOTES & OVERLAY THICKNESS.	9/14/2022
-	-	-
-	-	-
-	-	-
-	-	-
-	-	-
-	-	-

**BR #383B - JOHNSON STREET
 OVERLAY PROJECT**

TYPICAL BRIDGE SECTION & PLAN

DESIGNED: _____	HORIZONTAL SCALE
CHECKED: _____	AS NOTED
DRAWN: <u>tmr</u>	VERTICAL SCALE
CHECKED: _____	AS NOTED
	SHEETS
	2 OF 10
	PROJECT
	BRIDGE #383B OVERLAY

BRIDGE #383B OVERLAY - TYPICAL BRIDGE SECTION & PLAN